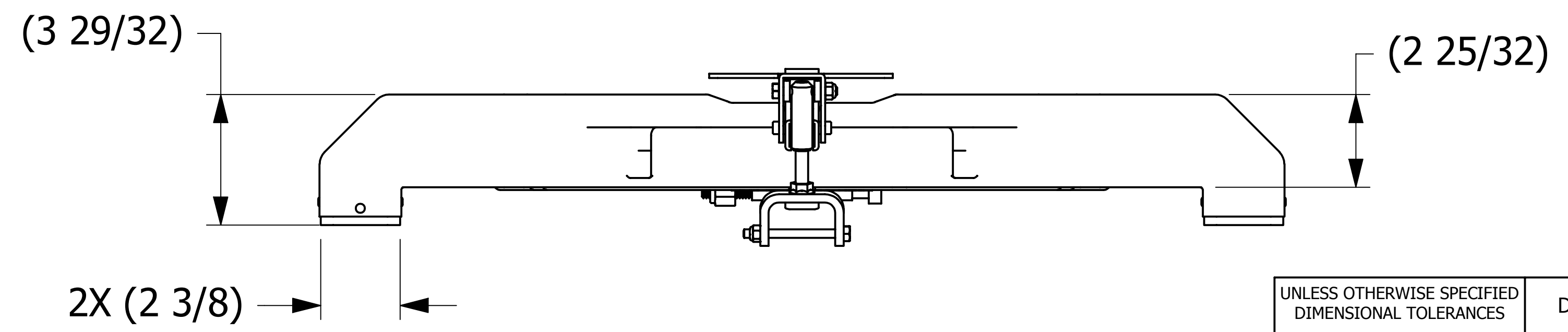
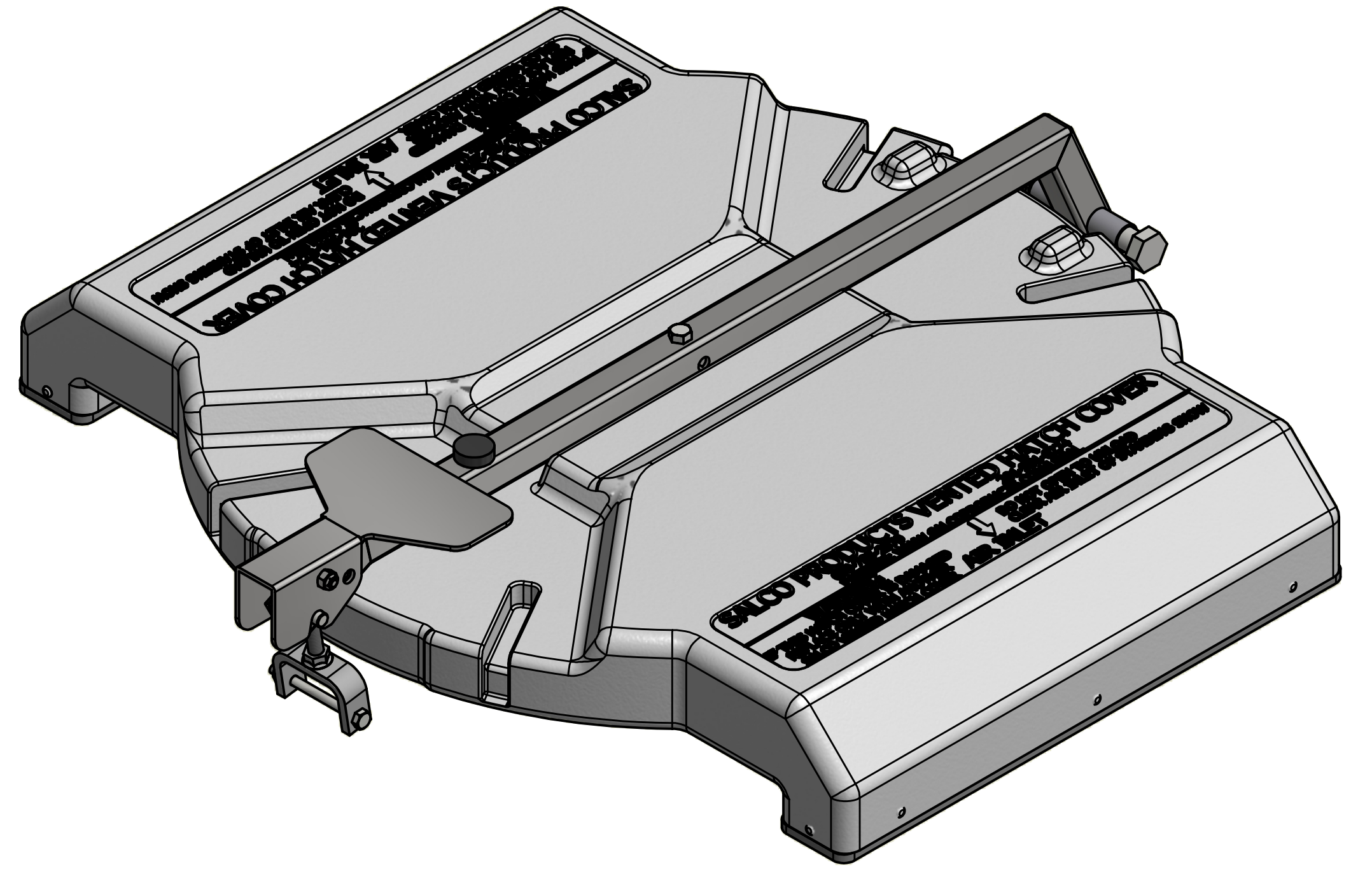
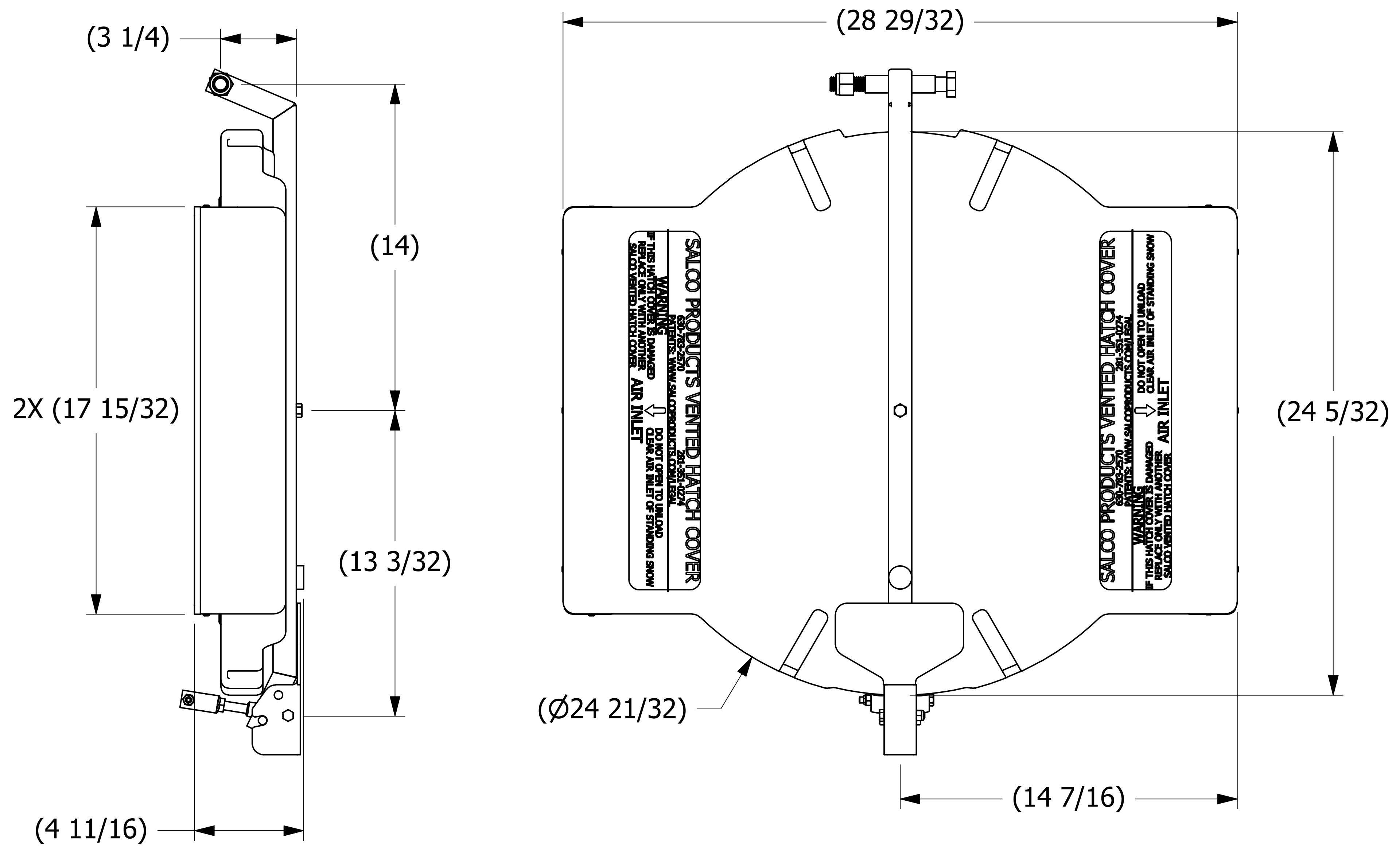


SALES DRAWING SALES DRAWING

SALES DRAWING SALES DRAWING



REV	BY	DATE	DESCRIPTION
D	JG	4-8-15	REPLACED P20SCAW W/ P20SCAB
C	RJP	1-03-14	ROTATED ARM
B	RJP	1-03-14	ADDED SHEET 2 WITH DIMENSIONS
A	CHL	7-28-10	NEW PART ADDED TO SYSTEM

UNLESS OTHERWISE SPECIFIED DIMENSIONAL TOLERANCES FRACTIONAL: $\pm 1/16$ X.XX: $\pm .03$ X.XXX: $\pm .015$ ANGULAR: $\pm 1^\circ$ DEBURR ALL SHARP EDGES. ALL MACHINED SURFACES TO HAVE A 125 RMS FINISH UNLESS NOTED OTHERWISE. THIRD ANGLE PROJECTION	DRAWN BY:	CHL
	CHECKED BY:	PJG
	PROTOTYPE BY:	CHL
	PROTOTYPE DATE:	2/16/2010
	APPROVED FOR PRODUCTION BY:	PJG
PRODUCTION DATE:	7/28/2010	

SALCO PRODUCTS, INC.		
PART NAME: VENTED HATCH COVER 20"		
MATERIAL: HDPE/SS	PROJECT #: WAG0095	SHEET #: 1 OF 1 SCALE: 1:3
DRAWING #: D18791	PART #: VHCS98PMB	

THIS PRINT, PROPERTY OF SALCO PRODUCTS INC. CONTAINS PROPRIETARY INFORMATION AND MUST NOT BE COPIED, REPRODUCED, OR USED DETRIMENTALLY TO OUR INTEREST.